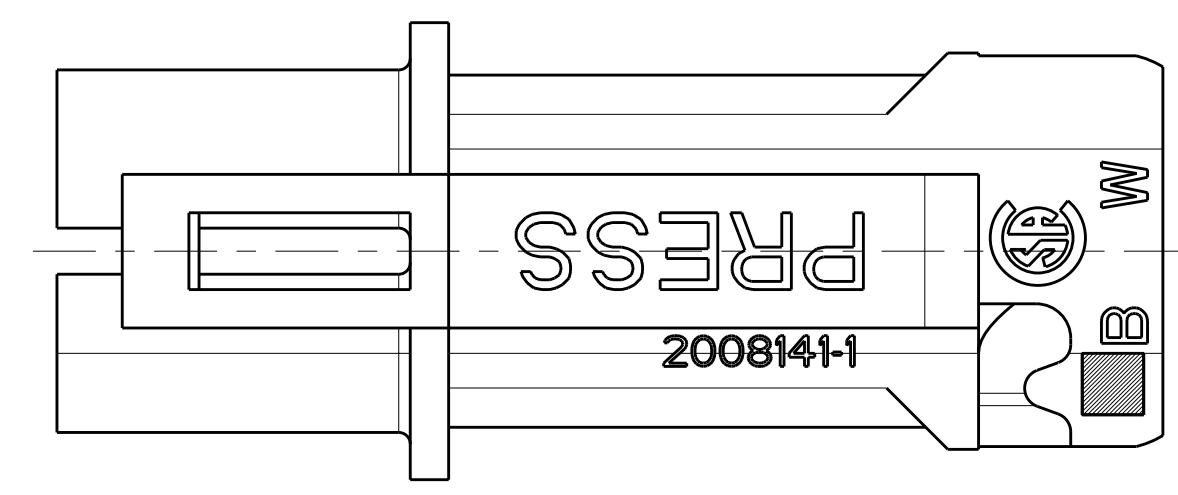
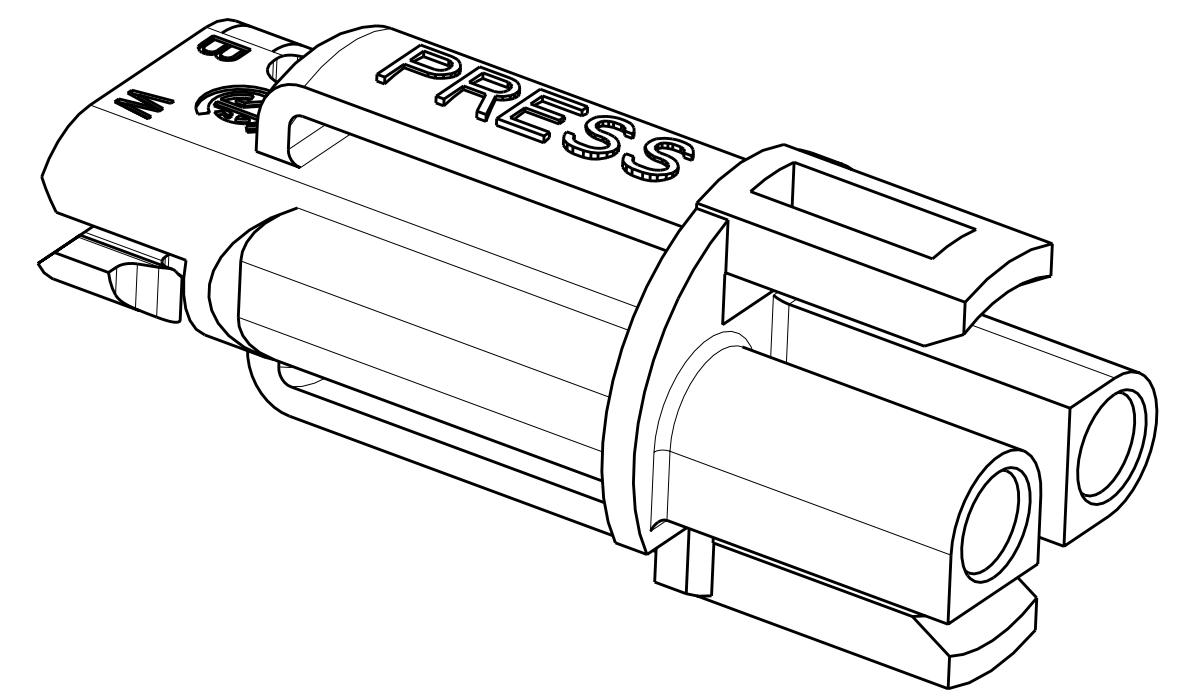
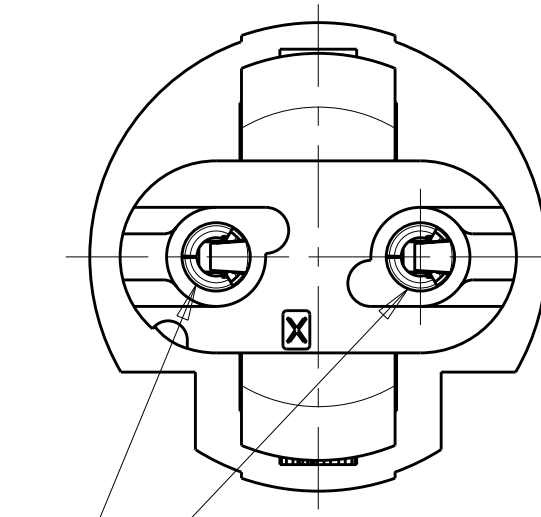
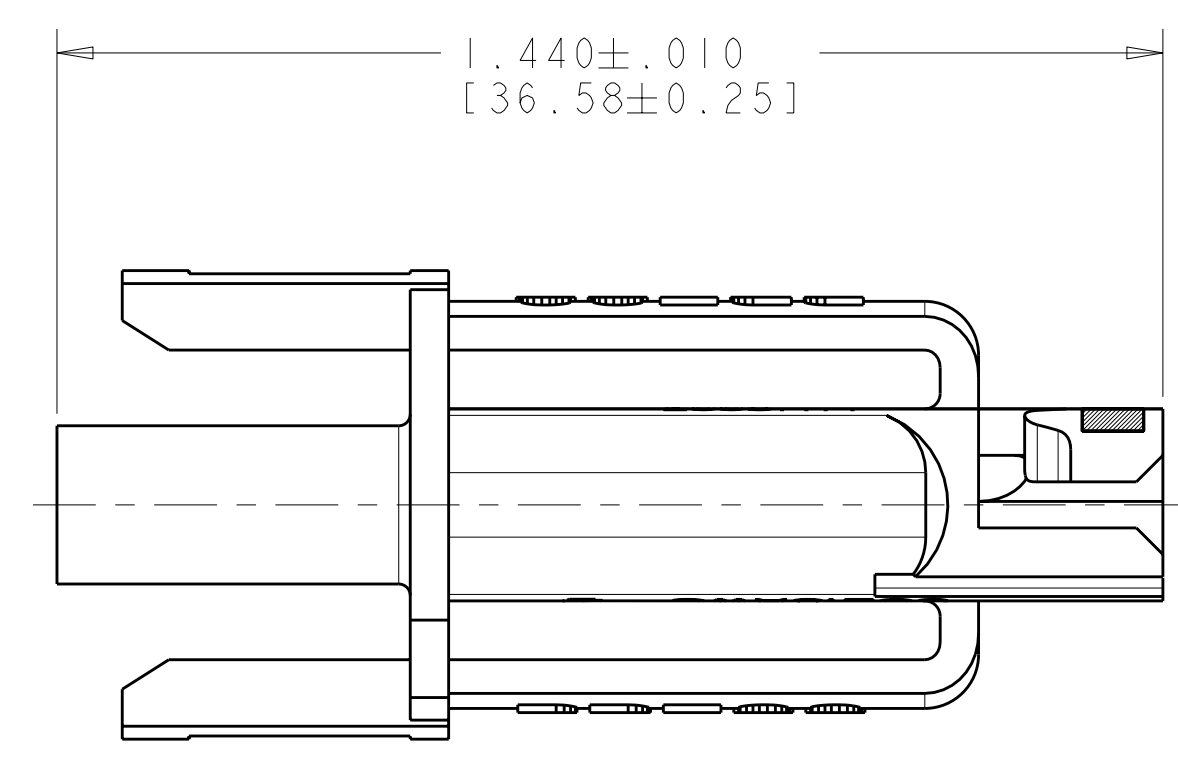
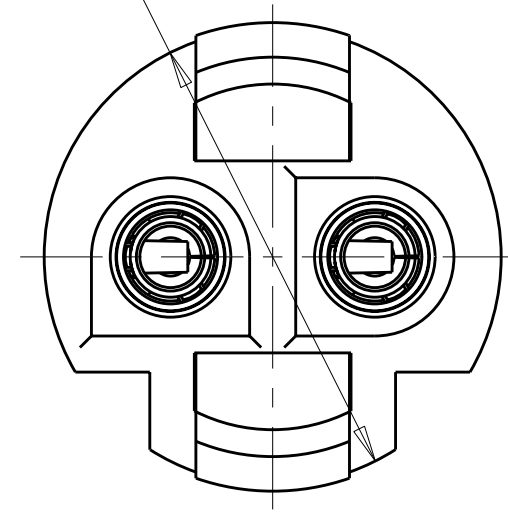


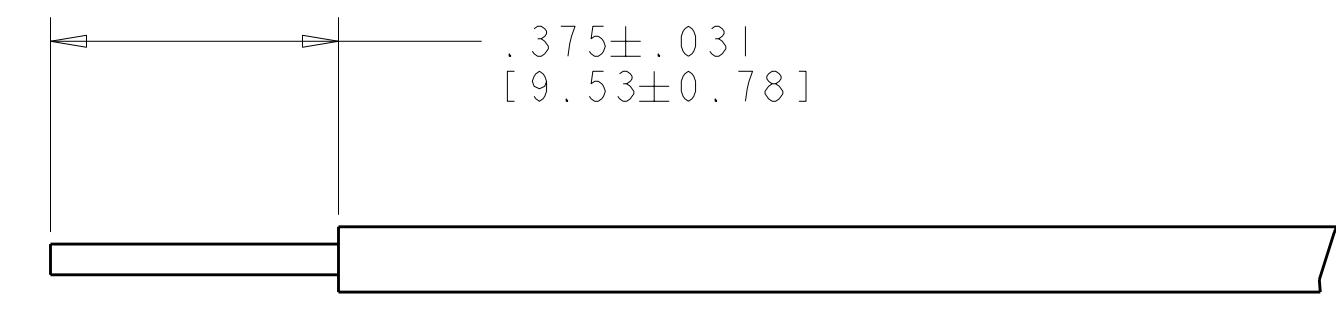
LOC	DIST	REVISIONS			
AF	50	REV	DATE	BY	APPD
		A	06 NOV 2007	JJK	JJK



$\varnothing .595 \pm .010$
 [15.11 ± 0.25]



ACCEPTS 18 AWG SOLID WIRE
 WITH .086 [2.18] MAX INSULATION DIAMETER



RECOMMENDED WIRE STRIP LENGTH

- 1. MATERIAL:
 HOUSING: POLYAMIDE, COLOR: NATURAL
 CONTACTS: PHOSPHOR BRONZE
 INK: BLACK
- 2. FINISH:
 CONTACTS: TIN PLATED
- 3. SEE INSTRUCTION SHEET: 408-10153
- 4. THIS PRODUCT HAS NOT COMPLETED
 VALIDATION TESTING.

2008141-1
 PART NUMBER

<small>THIS DRAWING IS UNPUBLISHED. RELEASED FOR PUBLICATION BY TYCO ELECTRONICS CORPORATION. ALL RIGHTS RESERVED.</small> <small>THIS IS SUBJECT TO CHANGE WITHOUT NOTICE AND WITHOUT OBLIGATION. SHOULD BE CONTACTED FOR THE LATEST REVISION.</small>		DWN: C. DAILY 20APR2007 CHK: J. LANDIS APVD:	Tyco Electronics Harrisburg, PA 17105-3608
DIMENSIONS: IN [mm]	TOLERANCES UNLESS OTHERWISE SPECIFIED: 0 PLC ± 1 PLC ± 2 PLC ± 3 PLC ± 4 PLC ± ANGLES ±	PRODUCT SPEC: 108-2275 APPLICATION SPEC: 114-13204 WEIGHT:	NAME: ASSEMBLY, PLUG, 2 POSITION, PT LIGHT-N-LOK SIZE: A 00779 C=2008141 RESTRICTED TO:
MATERIAL: 1	FINISH: 2	CUSTOMER DRAWING	SCALE: 4:1 SHEET 1 OF 1 REV A